

FUJIFILM

FCR
VELOCITY T *NEW*

FUJI COMPUTED RADIOGRAPHY

*Superb image quality, with compact,
table-type convenience.*



FCR

HD LINESCAN technology in a fully adjustable table creates the complete work environment.

The VELOCITY T is the ideal choice for digital supine-position examinations. Patients as well as operators will appreciate the versatile tabletop, which adjusts vertically to ease mounting and dismounting, and horizontally to optimize exposure position. Quality has been further enhanced with the adoption of HD LINESCAN technology. Workflow is easier than ever, too, with a variety of user options such as adjustable and exposure ready indicator lamps.

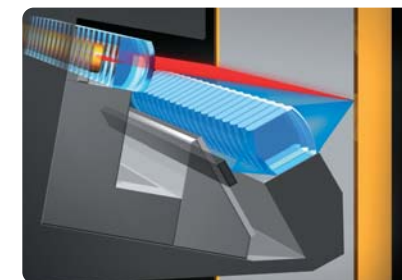


User-Friendly Interface

Convenient name-checker display located next to the detector unit clearly indicates patient name for quick and easy confirmation and minimized patient-data errors.

HD LINESCAN Technology

FCR VELOCITY T image acquisition uses revolutionary new HD LINESCAN technology employing a wide-view CCD and built-in Device IP. The detector unit is significantly slimmer than previous models, yet with increased throughput without sacrificing image quality.



Exposure Flexibility

The VELOCITY T makes it possible to pull the exposure unit out from under the tabletop enabling exposure of upper and lower extremity bones that used to require the use of a cassette. Indicator lamps positioned on both sides of the table top for easy confirmation of X-ray and equipment condition can be checked from outside the X-ray exposure room for distinction of the unit's readiness. The VELOCITY T can handle sizes up to 17" x 17" (43 x 43cm) and provides support for horizontal exposures in 10" x 12" (25 x 30cm) and 8" x 10" (20 x 25cm) sizes.



Image Processing Options

FCR standard in image quality: Image Intelligence™ Inside

"Image Intelligence™" is a set of sophisticated digital image-processing software technologies that are incorporated in the FCR VELOCITY T.



FNC Flexible Noise Control

FNC selectively suppresses noise components while maintaining signal contrast, improving granularity in "noisy" anatomical regions.

MFP Multiple Frequency Processing

MFP is an optional software that provides greater diagnostic information from a single exposure image through frequency enhancement. MFP improves visibility of both dense and peripheral tissue, simultaneously applying edge-enhancement processing to all structures in an image.

GPR Grid Pattern Removal

GPR eliminates moiré patterns from CR images exposed using a stationary grid.

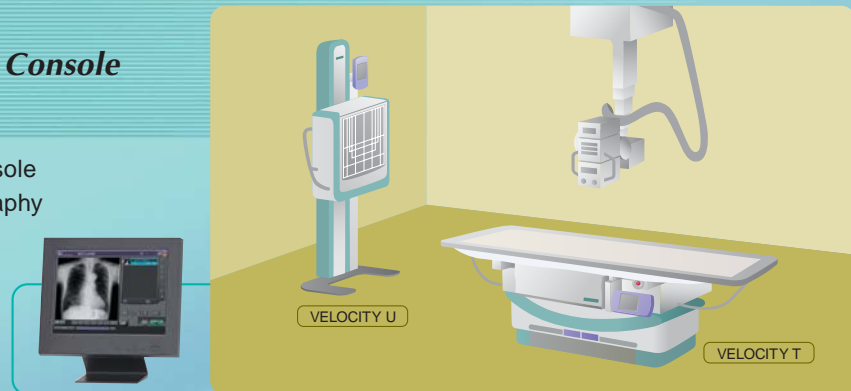
Image processing options are available for installing on CR Console. More options are available and for details, please check with local Fujifilm representative.

"Digital Suite"

VELOCITY T, VELOCITY U and CR Console for further flexibility

VELOCITY T and VELOCITY U plus CR Console "Digital Suite" expand flexibility in the radiography room with the dual capability of reading. Exposure data can be received from an X-ray controller*.

*Validated X-ray controllers.



FUJIFILM FCR VELOCITY T SPECIFICATIONS

Standard Components (some items are sold separately):

- FCR VELOCITY T Table-type Image Reader (CR-IR 364 T)
- AC Power Cord
- Grid: 12:1, 10:1, 8:1 (density 36 lines/cm, focal distance 100cm)

Other System Components:

- CR Console Plus/Lite (Plus is recommended)
- Image Recorder: DRYPIX 2000/4000/7000

Reading Sizes (reference):

17" x 17" (43 x 43cm), 14" x 17" (35 x 43cm), 17" x 14" (43 x 35cm),
14" x 14" (35 x 35cm), 10" x 12" (25 x 30cm), 12" x 10" (30 x 25cm),
8" x 10" (20 x 25cm), 10" x 8" (25 x 20cm), 18 x 43cm.

Processing Capacity:

Approx. 140 IPs / hour.

Achieved under the following exposure combination:

Lumbar Spine (Front/Lateral) 40%, Abdomen (Spine) 20%, Upper and Lower
Extremity Bones 40%.

*Note: processing capacity varies depending on the maximum amount of X-ray exposure
dose reaching the built-in IP inside VELOCITY T.*

Reading Gray Scale:

12 bits

Network:

10 Base T/100 Base T

Dimensions:

- Table Top Size: 2350mm x 810mm (93" x 32")
- Table Height: 650 – 850mm (26" – 34")
- Control Unit (W x D x H): 260 x 550 x 470mm (10" x 22" x 19")
- Power Supply Unit (W x D x H): 500 x 400 x 475–495mm (20" x 16" x 19–20")

Weight:

- Table-type Image Reader: 471kg (1039lbs.)
- Control Unit: 21kg (46lbs.)
- Power Supply Unit: 45kg (99lbs.)

Power Supply Conditions:

Single phase 50/60Hz
200/220/230/240V ±10%
Approx. 2.0KVA

Environmental Conditions:

- Operating Conditions:
Temperature: 15 – 30°C
Humidity: 40 – 80%RH (No dew condensation)
- Non-operating Conditions:
Temperature: 0 – 45°C
Humidity: 10 – 90%RH (No dew condensation)

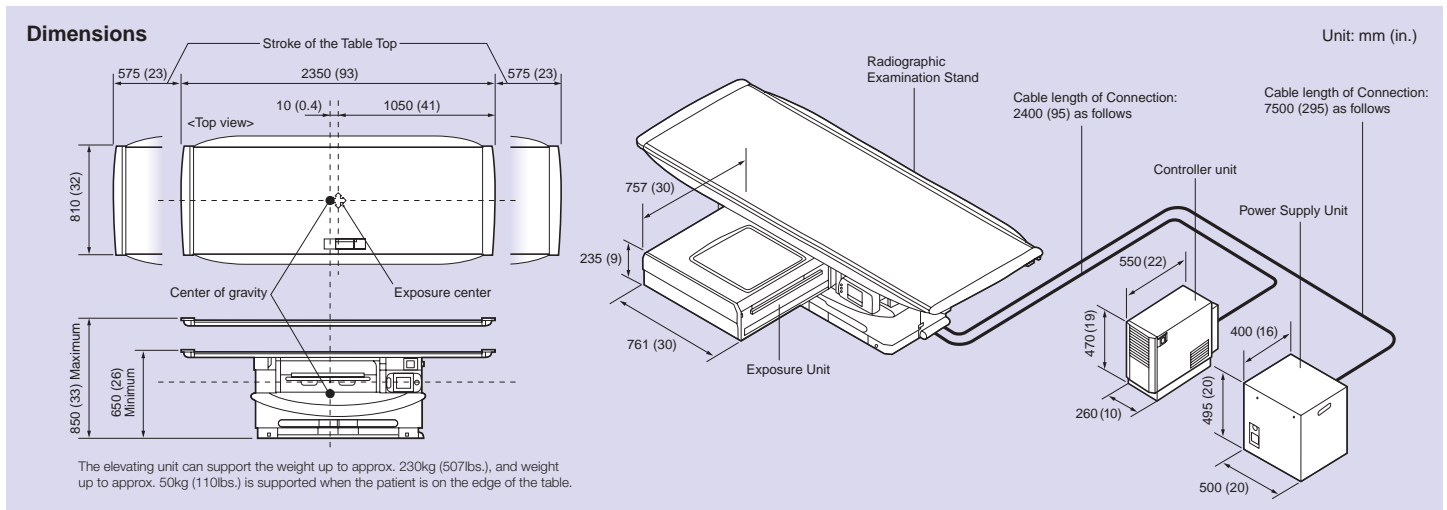
Image Reading

(1) Reading gray scale 12 bit/pixel
Output gray scale 10 bit/pixel

(2) Reading specification

All images are read at the rate of 12 bit/pixel and image densities listed in the table
below are applied respectively for each image size when output from the CR Console.

Reading Size		17" x 17"	17" x 14"	14" x 17"	14" x 14"	12" x 10"	10" x 12"	10" x 8"	8" x 10"	18 x 43cm
Effective Reading Size (mm)		428 x 428	428 x 352	352 x 428	352 x 352	301.5 x 250.5	250.5 x 301.5	251 x 200	200 x 251	177 x 428
Standard Pixel- density	Spatial Resolution (pixels/mm)	5	5	5	5	6.7	6.7	10	10	5
	Number of Pixels	2140 x 2140	2140 x 1760	1760 x 2140	1760 x 1760	2010 x 1670	1670 x 2010	2510 x 2000	2000 x 2510	885 x 2140
High Pixel- density	Spatial Resolution (pixels/mm)	10	10	10	10	10	10	10	10	10
	Number of Pixels	4280 x 4280	4280 x 3520	3520 x 4280	3520 x 3520	3015 x 2505	2505 x 3015	2510 x 2000	2000 x 2510	1770 x 4280



"Image Intelligence™" is a set of sophisticated digital image-processing software technologies that are incorporated in the FCR VELOCITY T.



FUJIFILM

FUJIFILM Corporation

<http://www.fujifilm.com/products/medical>

Specifications and PC requirements are subject to change without notice.
All brand names or trademarks are the property of their respective owners.
All products require the regulatory approval of the importing country.
For details on their availability, contact our local representative.