



Quick Reference Notes – Daily Care

簡易操作 - 日常保養

Apeos C4030 / C3530

CONTENTS

目錄

1	Clear Paper Jam 夾紙排解	1
1.1	Duplex Automatic Document Feeder 自動雙面送稿裝置	1
1.2	Tray 1 and Bypass Tray 紙盤 1 及 手送紙盤	3
1.3	Fusing Unit 熔著部組件	5
2	Replacing Consumables 更換耗材	8
2.1	Replacing Toner Cartridge 更換碳粉	8
2.2	Replacing Waste Toner Container 更換碳粉回收匣	10

Scan QR Code OR Click here for more instruction.

請掃描 QR Code 或者點擊這裡查看更多使用說明。

For more online support information please visit

更多相關資料，請訪問以下網址：

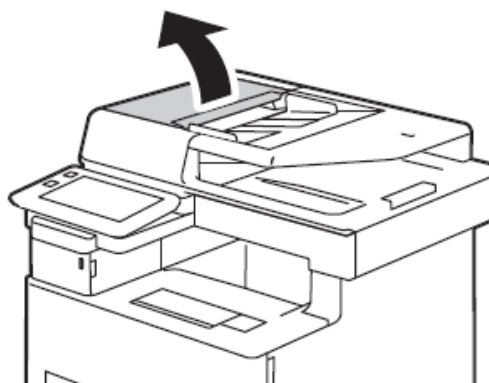
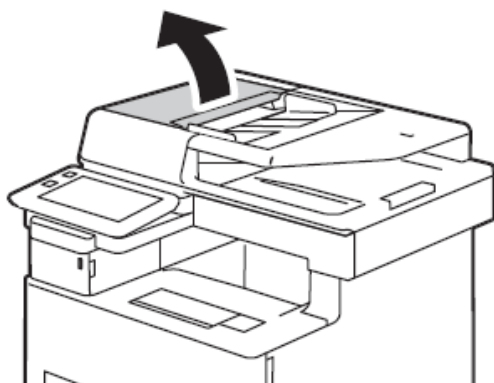
<https://support-fb.fujifilm.com>



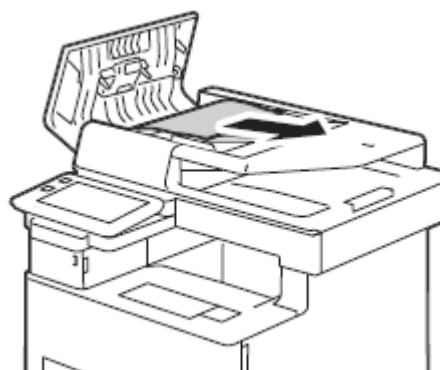
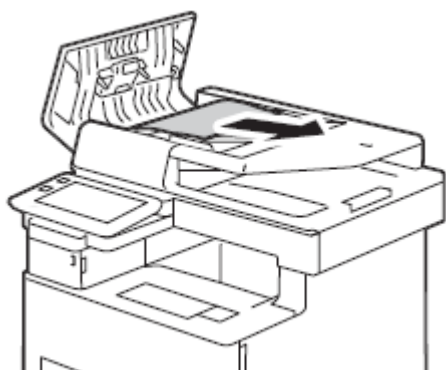
1 CLEAR PAPER JAM 夾紙排解

1.1 DUPLEX AUTOMATIC DOCUMENT FEEDER 自動雙面送稿裝置

1. Open the document feeder left cover until it stops.
1. 將送稿裝置左側蓋開啟到停止位置。



2. If the original is not caught in the entry of the document feeder, pull out the original.
2. 去除夾紙的原稿。

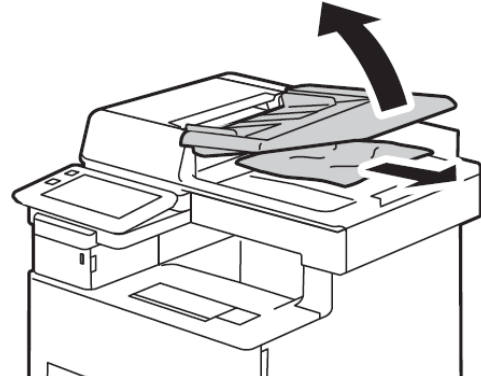
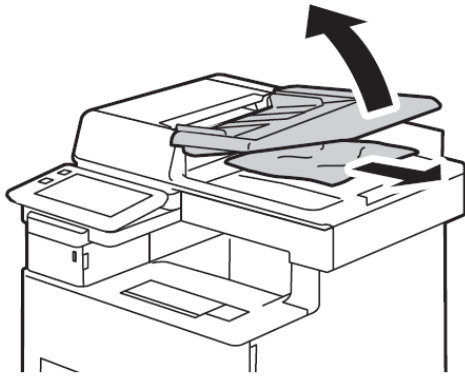


3. Close the left cover of the document feeder until it clicks into place, and confirm that there is no space between the near or far side of the cover and the document feeder.

4. If you could not find the document, lift the document feeder tray and remove the document.

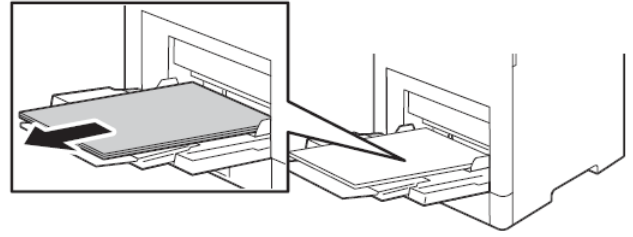
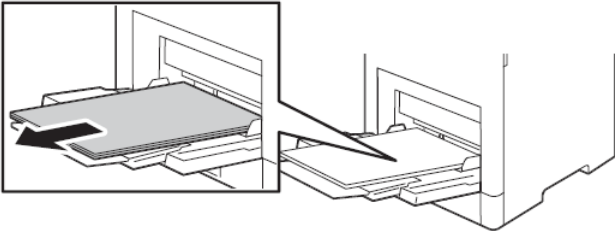
3. 關閉送稿裝置左側蓋，直至發出“咔嚓”聲，確認蓋的手邊位置和最深處沒有移動。

4. 未發現原稿時，抬起送稿台，去除原稿。

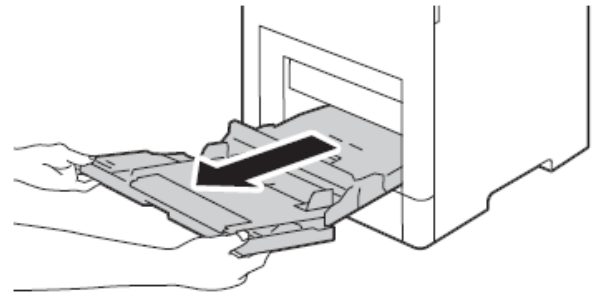
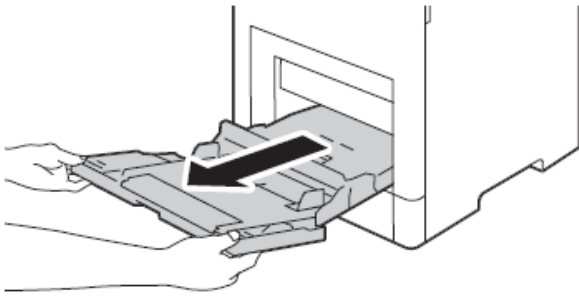


1.2 TRAY 1 AND BYPASS TRAY 紙盤 1 及 手送紙盤

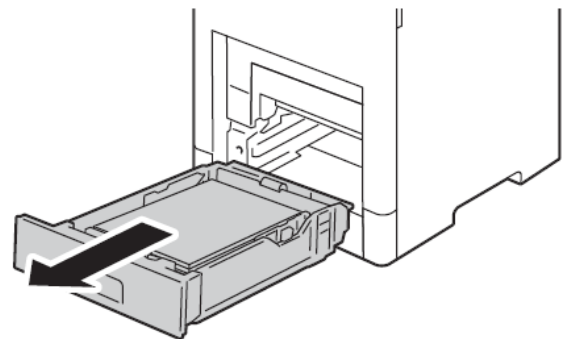
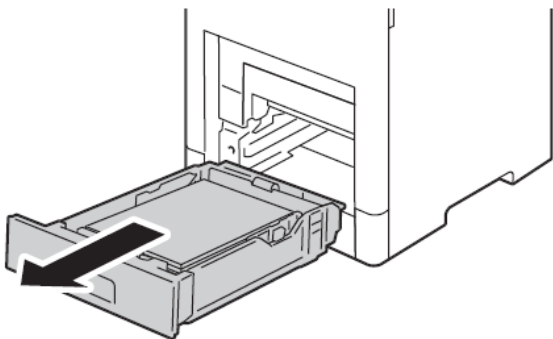
1. Remove any paper from the Bypass Tray. 1. 將手送紙盤中放置的紙張全部去除。



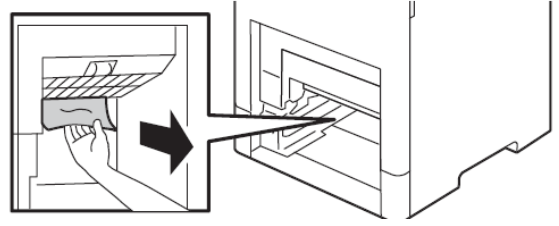
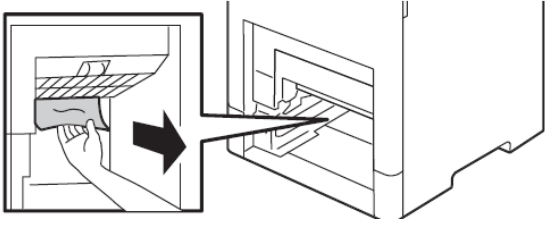
2. Hold both sides of the Bypass Tray, then pull it straight out of the main unit. 2. 握住手送紙盤的兩側，從機身拉出。



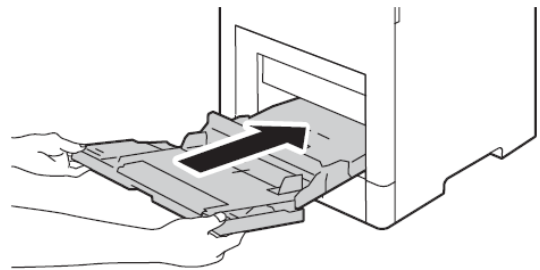
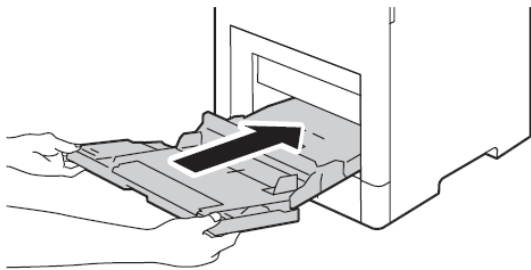
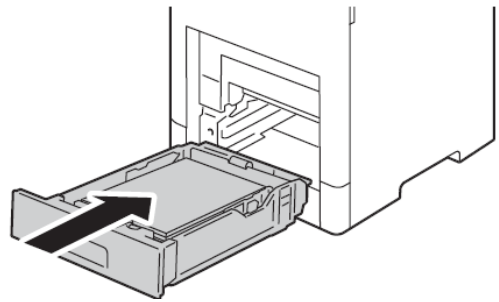
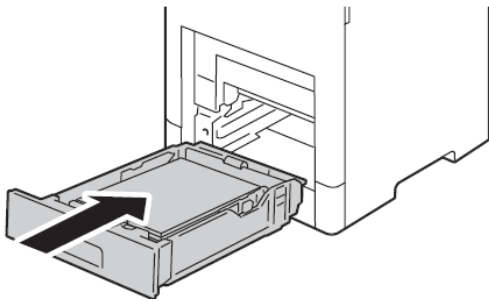
3. Pull Tray 1 out from the main unit. 3. 把紙盤 1 從機身拉出。



4. Remove any paper remained in the device interior. 4. 把機身內的卡紙移除。

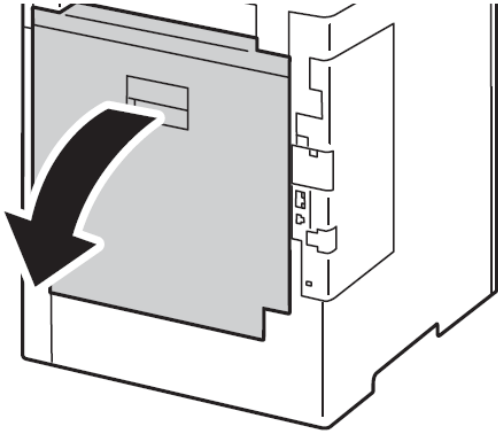


5. Insert Tray 1 and Bypass Tray all the way into the main unit. 5. 把紙盤 1 及手送紙盤完全放入機身內。

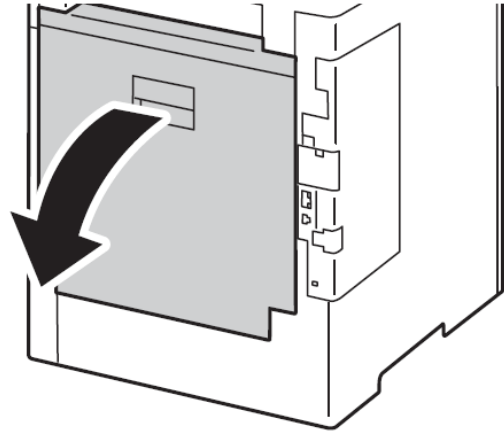


1.3 FUSING UNIT 熔著部組件

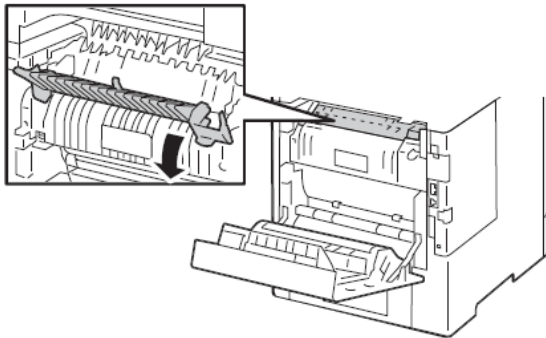
1. Lift the rear door release and pull open the door.



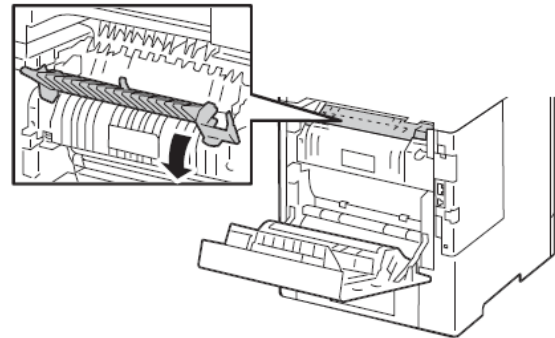
1. 拉起釋放桿，同時開啟背面蓋。



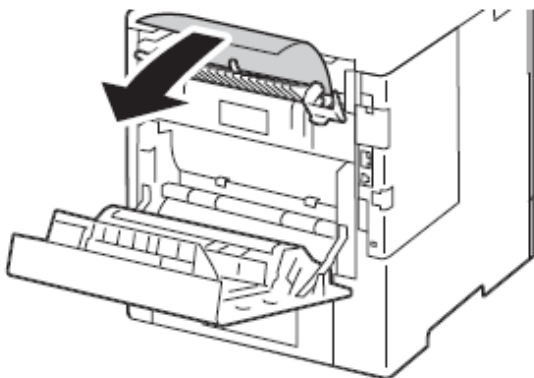
2. Open the tab of the fusing unit.



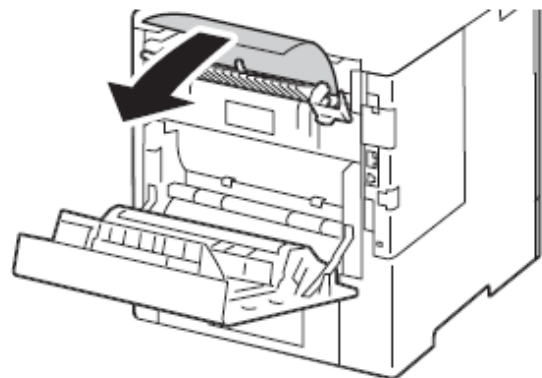
2. 開啟熔著部組件的把手。



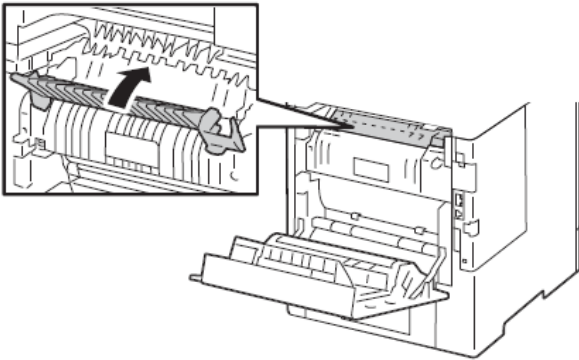
3. Remove any jammed paper.



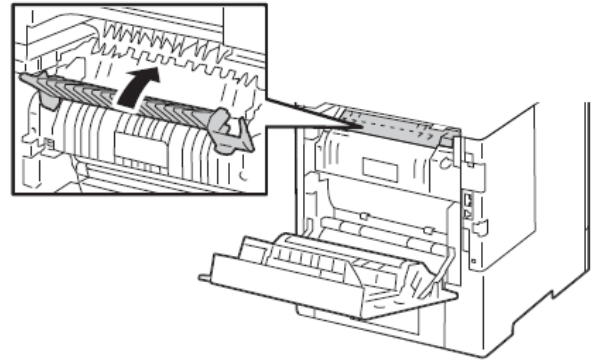
3. 去除夾紙。



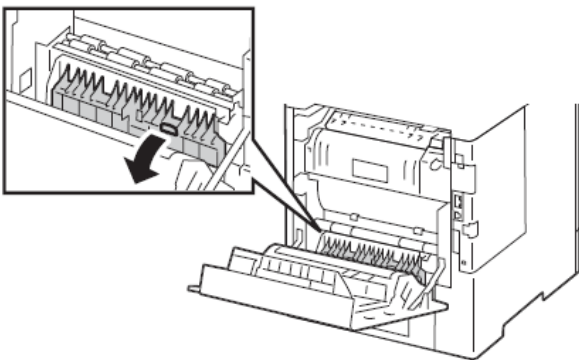
4. Return the tab.



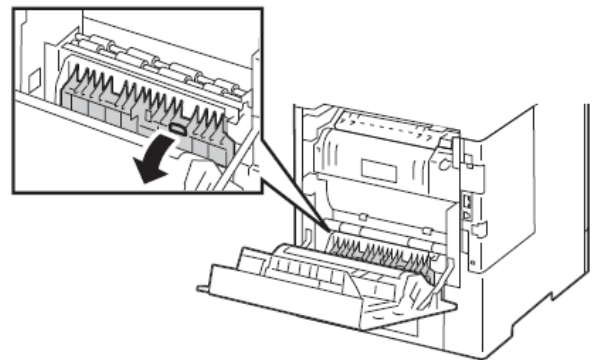
4. 將把手放回原處。



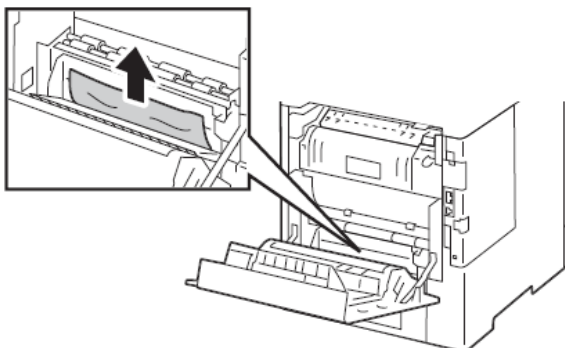
5. Open the paper guide on the fusing unit.



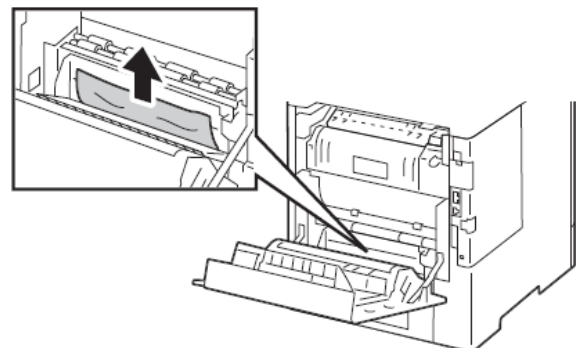
5. 開啟下方的滑槽蓋。



6. Remove any jammed paper

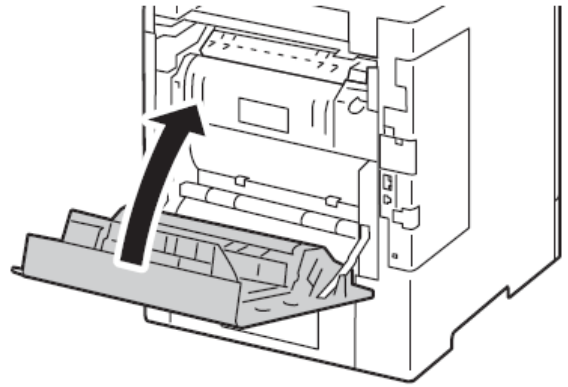
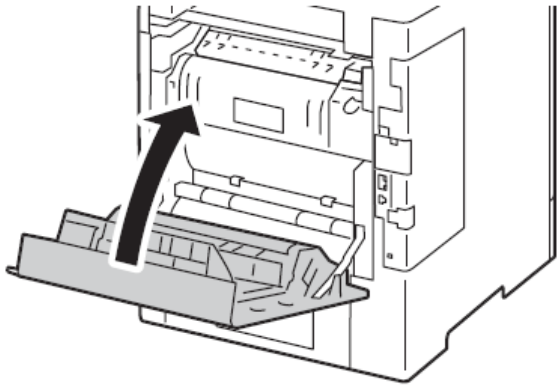


6. 去除夾紙。



7. Close the rear door.

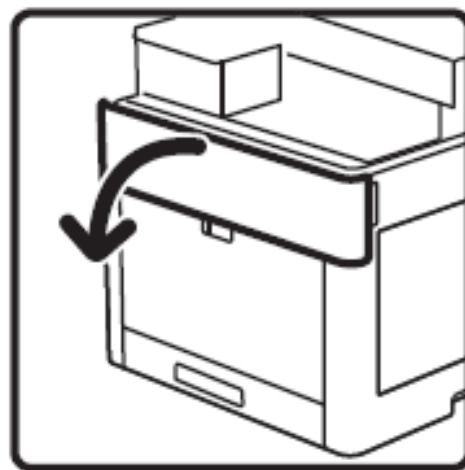
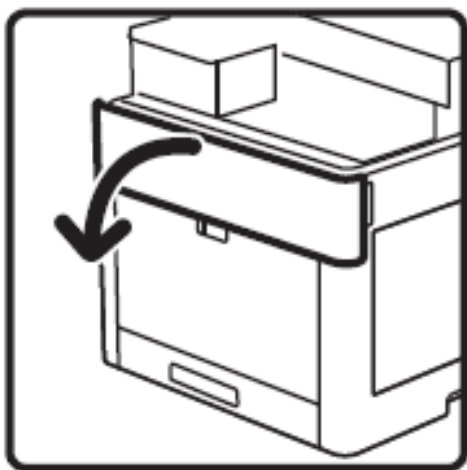
7. 關閉背面蓋。



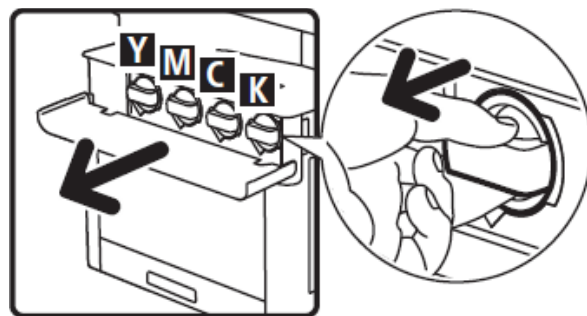
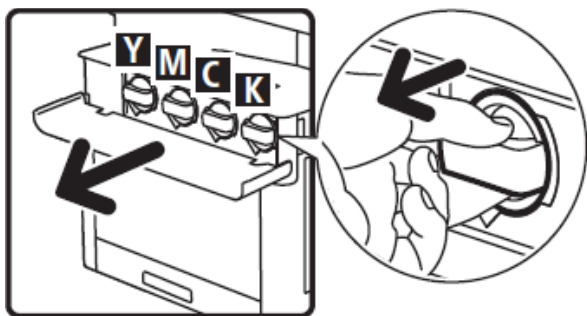
2 REPLACING CONSUMABLES 更換耗材

2.1 REPLACING TONER CARTRIDGE 更換碳粉

1. Make sure that the device is not operating, then open the front door.
1. 先確定裝置已經停止運作，然後開啟前蓋。



2. Hold the handle and pull out the toner cartridge slowly.
2. 握住拉桿，慢慢取出碳粉卡匣。

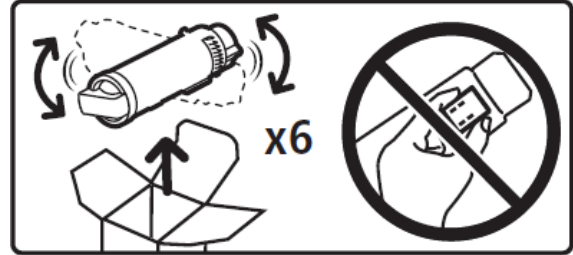
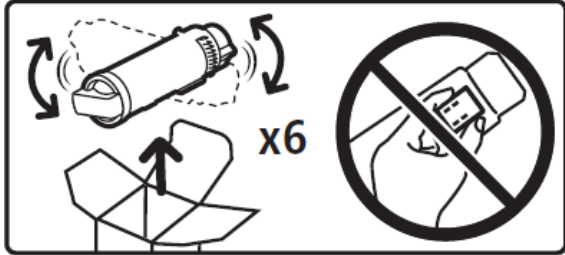


3. Remove the new toner cartridge from the packaging.

3. 從包裝盒取出新碳粉卡匣。

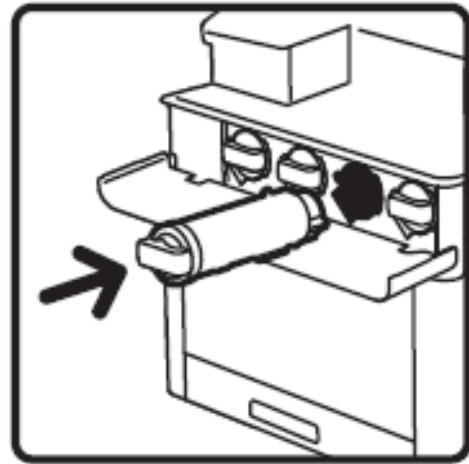
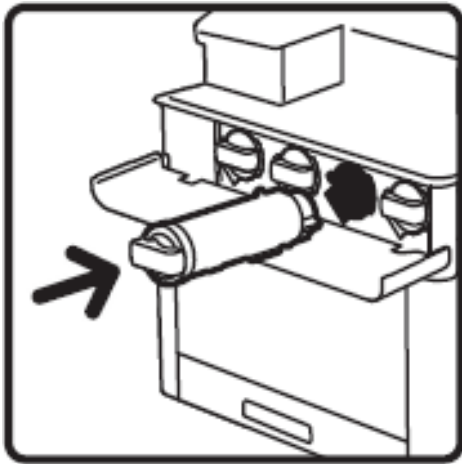
4. Gently shake the toner cartridge back and forth six times. Caution: Do not touch the shutter.

4. 上下左右搖動碳粉卡匣六次。
注意：請勿觸摸滑蓋部位。



5. Line up the new toner cartridge with the required location and push the cartridge into the printer until the cartridge clicks into place.

5. 舉起卡匣，使箭頭朝上，再慢慢地將卡匣推入直至停下為止。

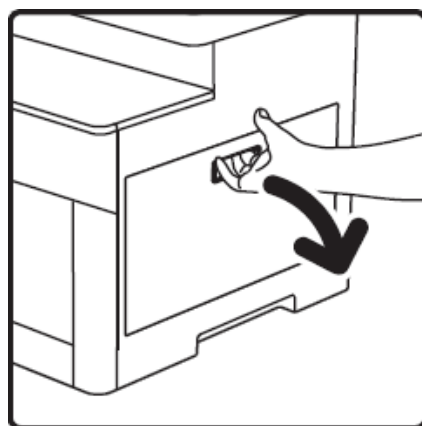
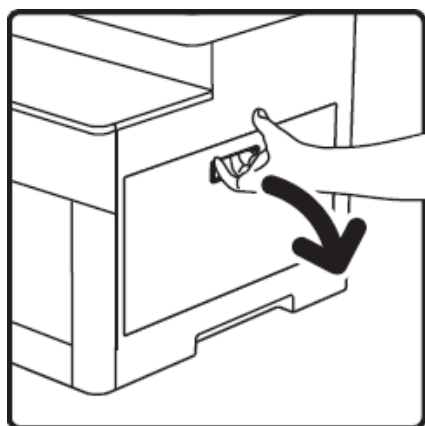


6. Close the front door.

6. 關上前蓋。

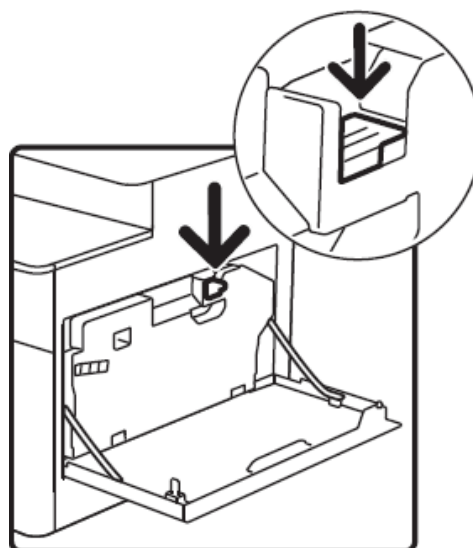
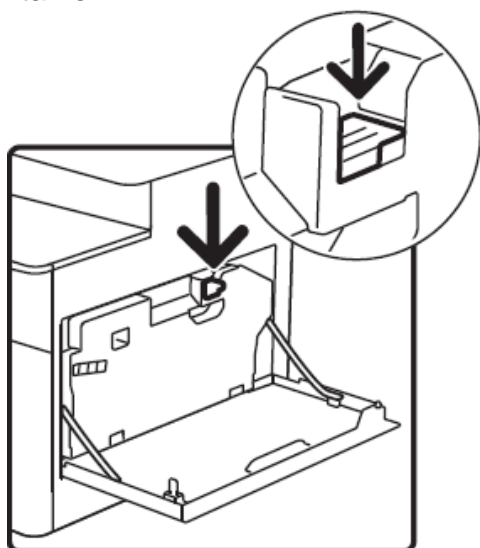
2.2 REPLACING WASTE TONER CONTAINER 更換碳粉回收匣

1. Make sure that the device is not operating, then open the right side cover.



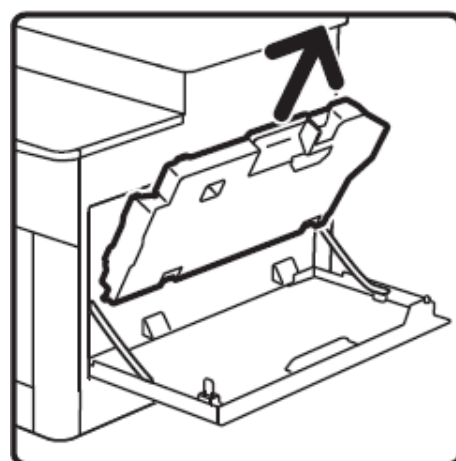
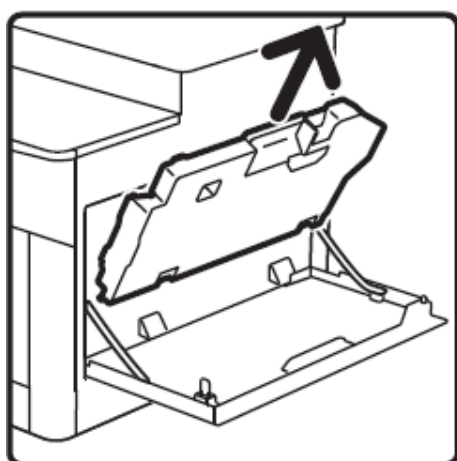
2. Lower the top of the waste toner container.

2. 按下碳粉回收匣的頂部。

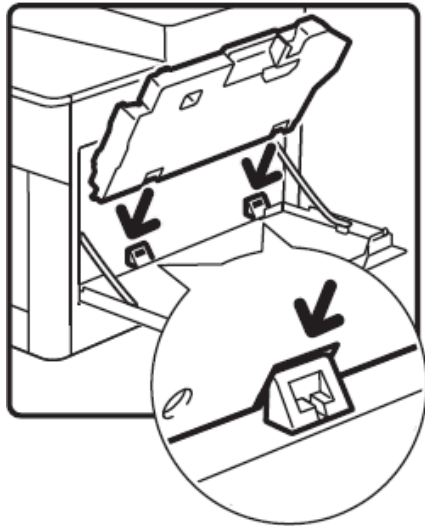


3. Lift the waste toner container away from the main unit.

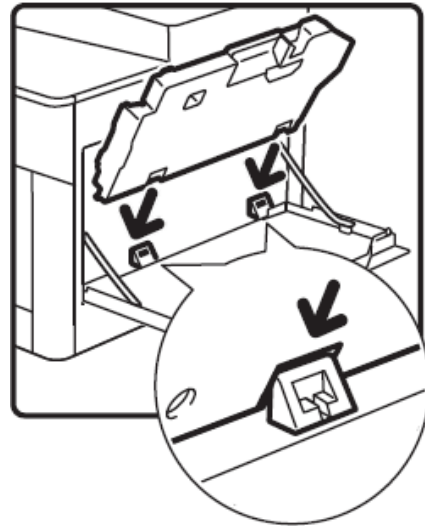
3. 取出碳粉回收匣。



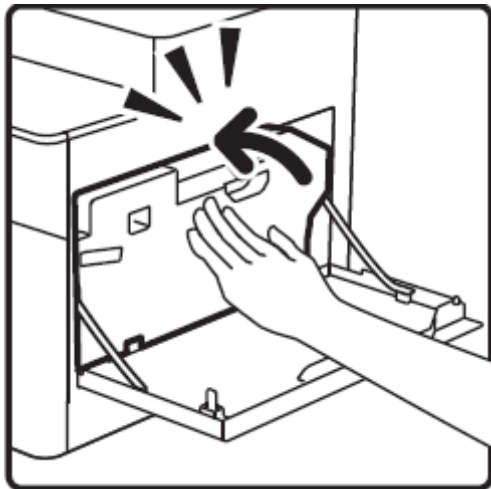
4. Make sure that the two indented parts on the bottom go into the brackets on the printer.



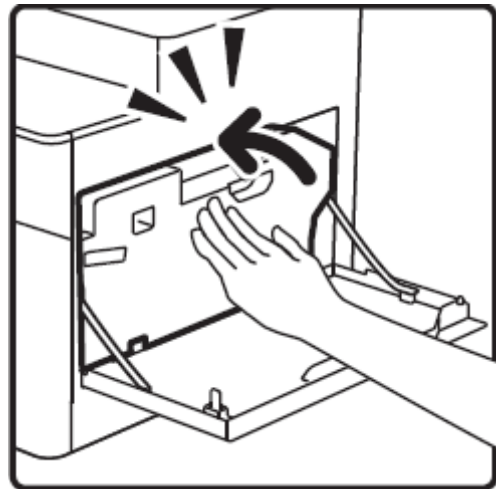
4. 對準主機的伸出部分，放入碳粉回收匣。



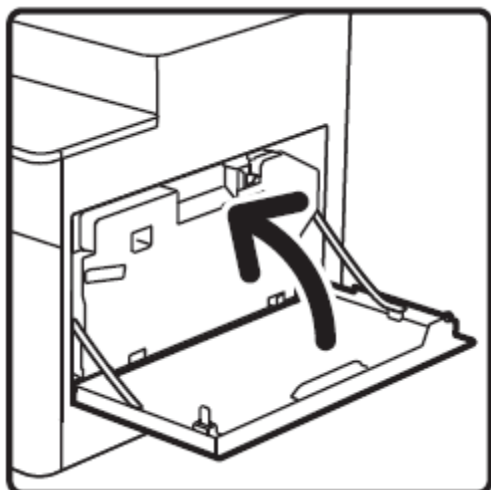
5. Push on the handle of the waste toner container until it clicks.



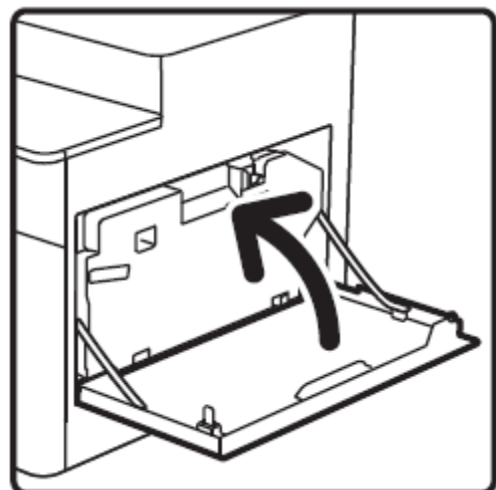
5. 拍好碳粉回收匣。



6. Close the right side cover.



6. 關上右蓋。



Customer Support Center

2513-2513

FUJIFILM and FUJIFILM logo are registered trademarks or trademarks of FUJIFILM Corporation.

Apeos, ApeosPro, ApeosWiz, Working Folder is registered trademarks or trademarks of FUJIFILM Business Innovation Corp.

Adobe, Adobe logo, PostScript and PostScript logo are either registered trademarks or trademarks of Adobe in the United States and/or other countries.

Apple, AirPrint and Mac are trademarks of Apple Inc. registered in the U.S. and other countries.